

# TECHNICAL DATA SHEET

en

## CHIP DUMP STATION

ITEM NO.: 750.121.299

### TECHNICAL DATA

#### DIMENSIONS (MM)

Width	1000
Depth	700
Height	800

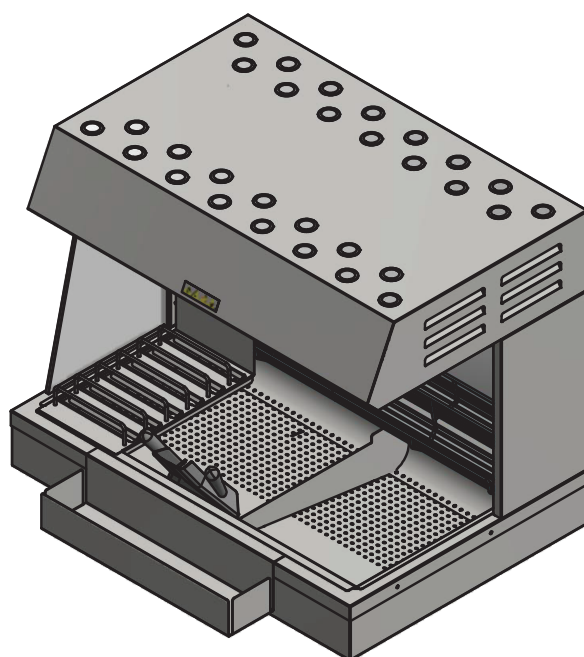
#### WEIGHT (KG)

Net	TBA
-----	-----

#### ELECTRICAL CONNECTION

Voltage	230 V
Phases	1 Ph / L / N / PE
Power	1.9 kW
Frequency	50 Hz
Ampere	8.3 A
IP Protection	IP2X

Plug protection (IP code)	IP 44
---------------------------	-------

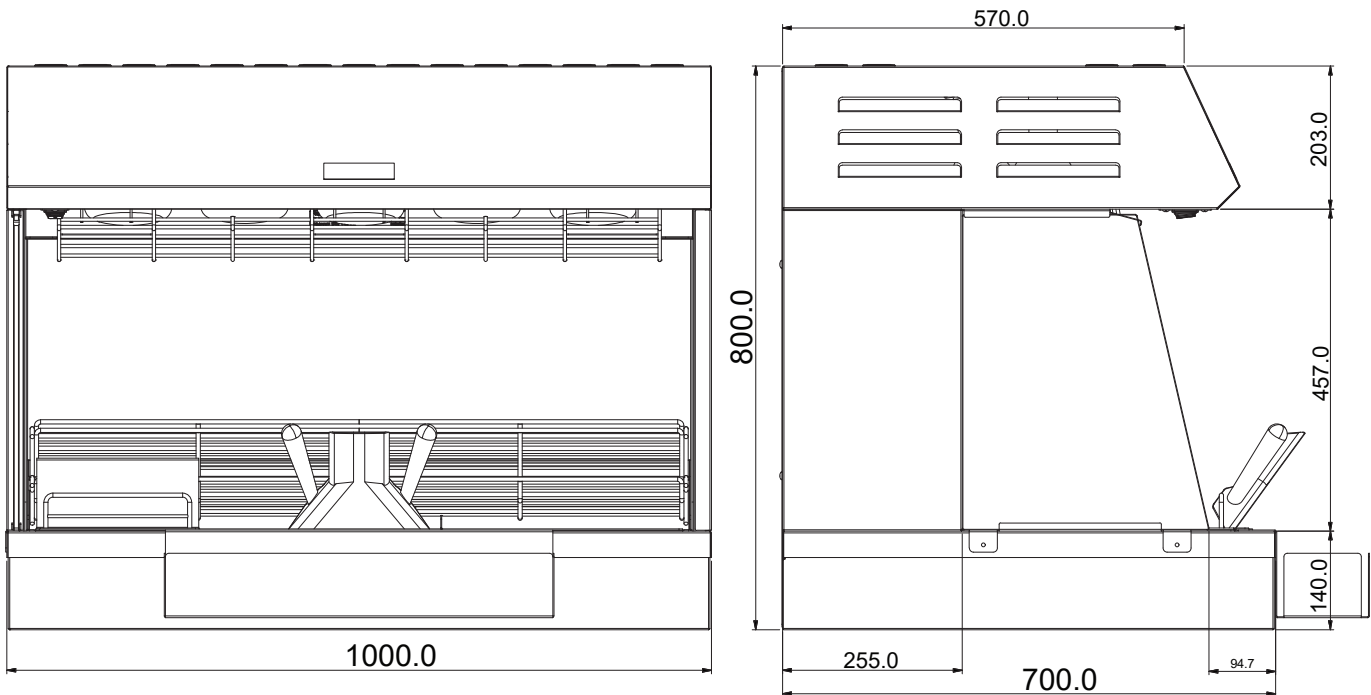


*Make  
it  
wonderful*

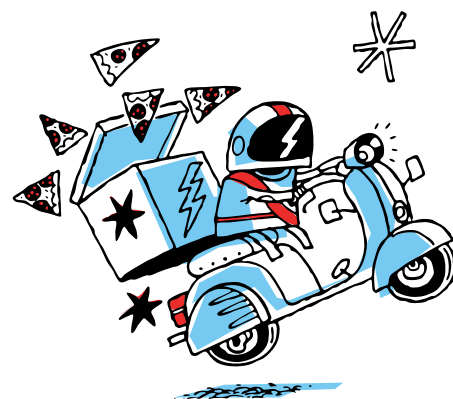
**FRANKE**

## FEATURES/BENEFITS

- Designed according to hygienic standards NSF 2
- Material: stainless steel type 4301
- Material thickness: 1.5mm, 1.25mm, 1mm
- Adjustable fry bag holder
- Constant temperature thanks to the use of heating lamps
- Rack for fry bags
- Power cord length: 3 m with plug CEE 230V IP44 included



Franke Foodservice  
Systems GmbH  
Jurastr. 3  
D-79713 Bad Saeckingen  
Germany  
Fon +49 7761 5533 0  
Fax +49 7761 5533 8700  
www.franke.com



**FRANKE**

en

Status: 07.09.2020